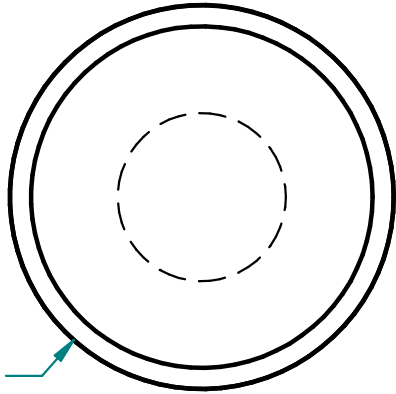
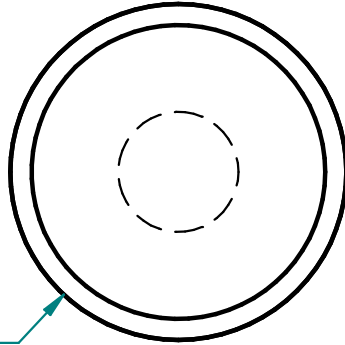


REVISION HISTORY

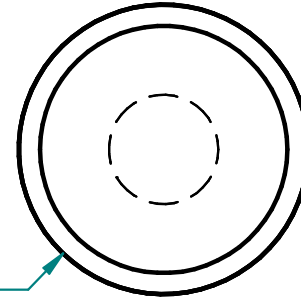
REV	DESCRIPTION	DATE	APPROVED



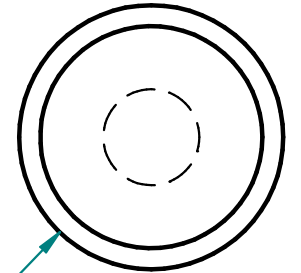
Ø 16



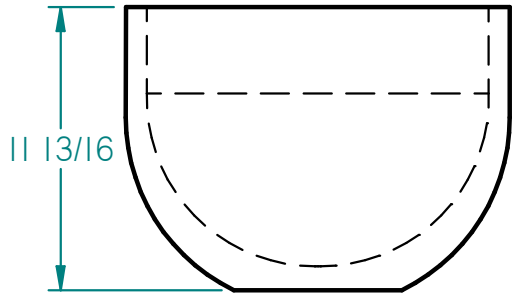
Ø 14



Ø 12 1/16

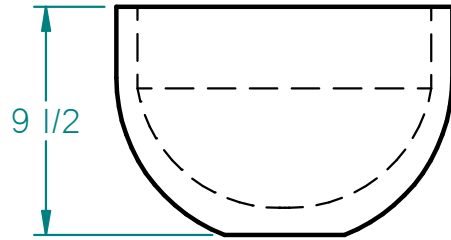


Ø 11



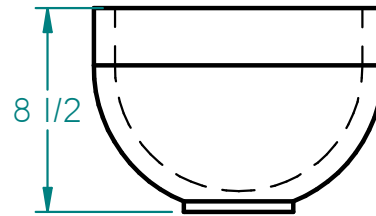
11 13/16

95 Pound Capacity



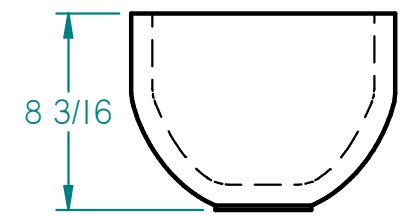
9 1/2

60 Pound Capacity



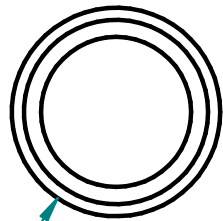
8 1/2

40 pound Capacity

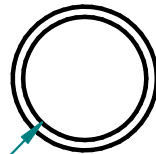


8 3/16

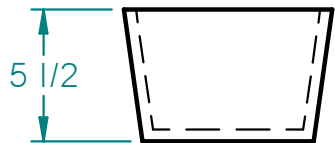
30 Pound Capacity



Ø 8 11/16



Ø 5 1/8



5 1/2

15 Pound Capacity



7

10 Pound Capacity

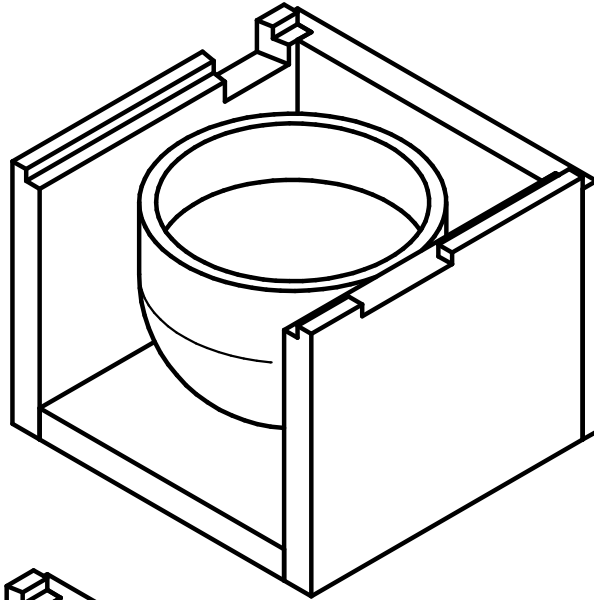
	NAME	DATE
DRAWN	PV	10/06/20
UNLESS OTHERWISE SPECIFIED DIMENSIONS ARE IN INCHES ANGLES ±0.25° 2 PL ±0.03 3 PL ±0.033		

Mobile Glassblowing Studios, LLC		
TITLE Crucible Sizes		
SIZE A	DWG NO	REV
FILE NAME: Crucible options.dft		
SCALE:		SHEET 1 OF 10

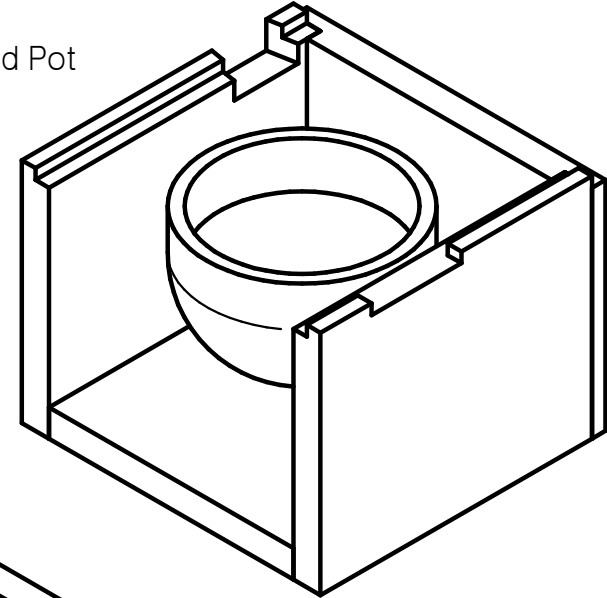
REVISION HISTORY

REV	DESCRIPTION	DATE	APPROVED

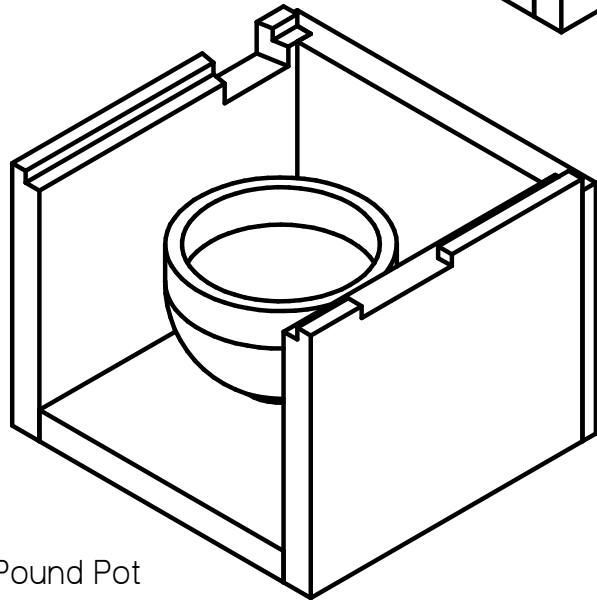
95 Pound Pot



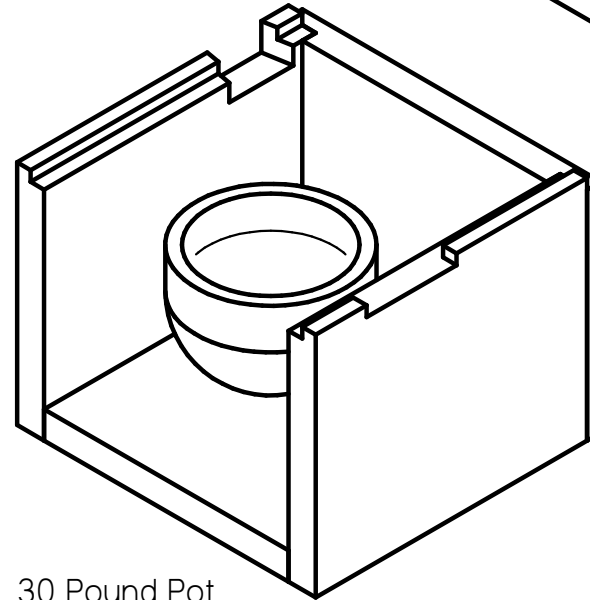
60 Pound Pot



40 Pound Pot



30 Pound Pot



Mobile Glassblowing Studios, LLC

TITLE
PX Freestanding Crucible Options

	NAME	DATE
DRAWN	PV	10/06/20

SIZE	DWG NO	REV
A		

UNLESS OTHERWISE SPECIFIED
DIMENSIONS ARE IN INCHES
ANGLES ±0.25°
2 PL ±0.03 3 PL ±0.033

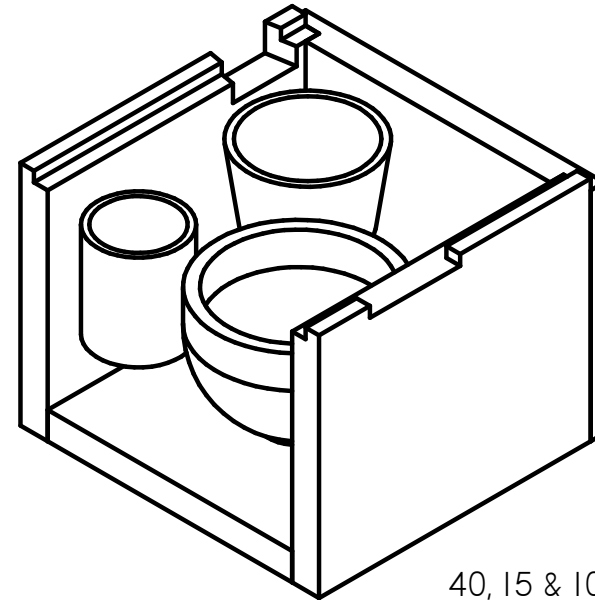
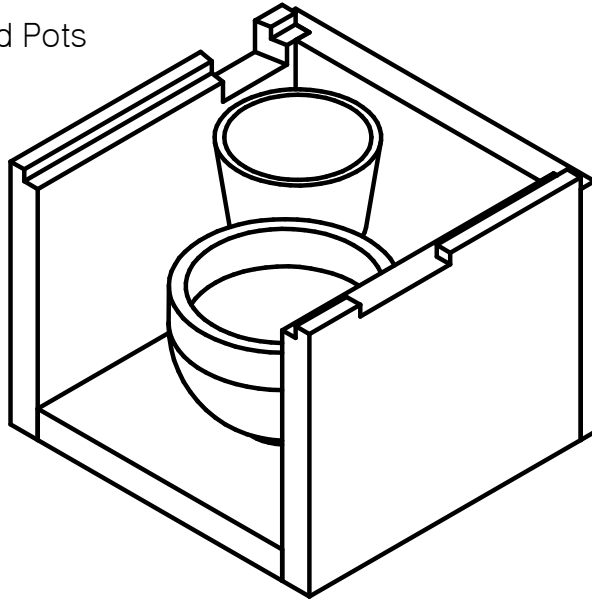
FILE NAME: Crucible options.dft

SCALE: SHEET 2 OF 10

REVISION HISTORY

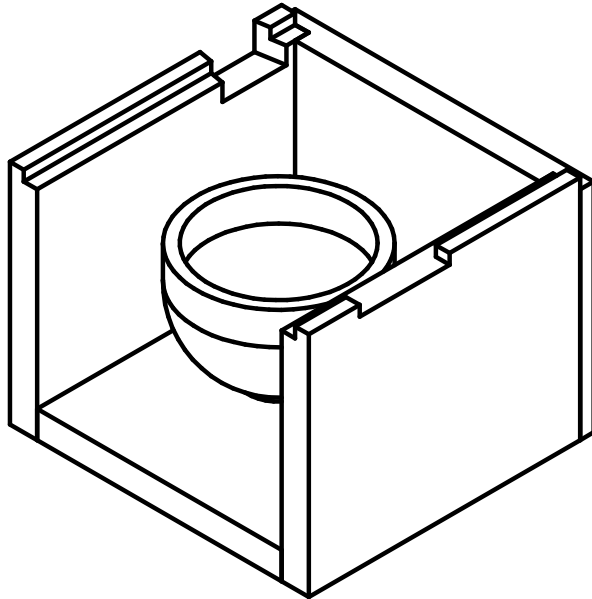
REV	DESCRIPTION	DATE	APPROVED

40 & 15 Pound Pots



40, 15 & 10 Pound Pots

40 Pound Pot



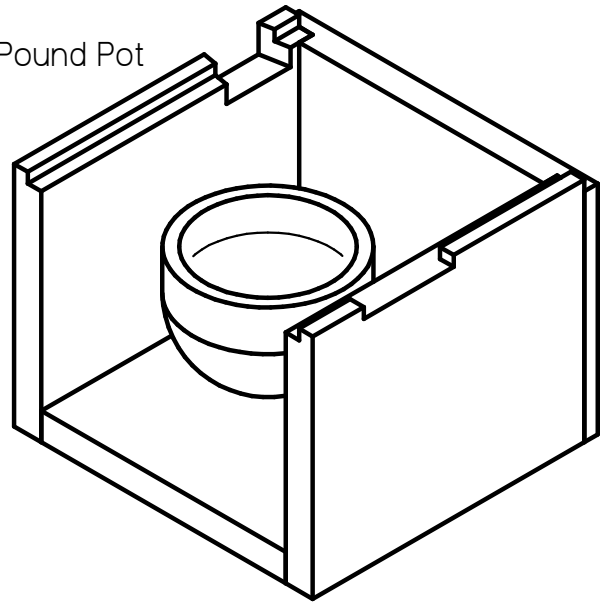
Mobile Glassblowing Studios, LLC			
TITLE PX Freestanding Crucible 40 # Options			
SIZE A	DWG NO	REV	
FILE NAME: Crucible options.dft			
SCALE:		SHEET 3 OF 10	

	NAME	DATE
DRAWN	PV	10/06/20
UNLESS OTHERWISE SPECIFIED DIMENSIONS ARE IN INCHES ANGLES ±0.25° 2 PL ±0.03 3 PL ±0.033		

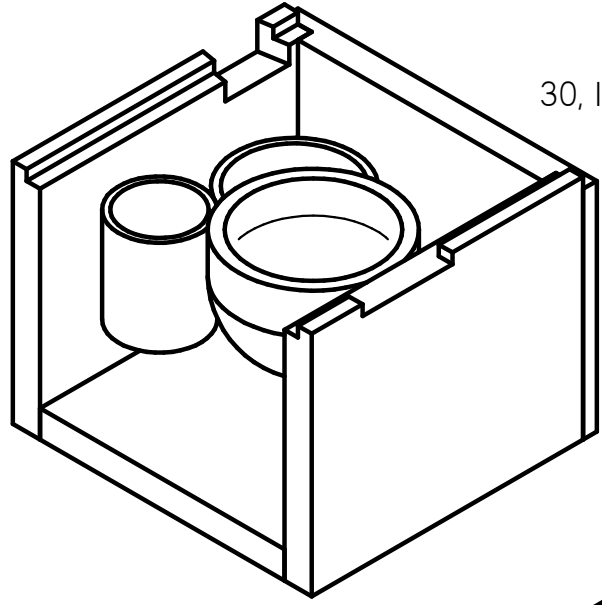
REVISION HISTORY

REV	DESCRIPTION	DATE	APPROVED

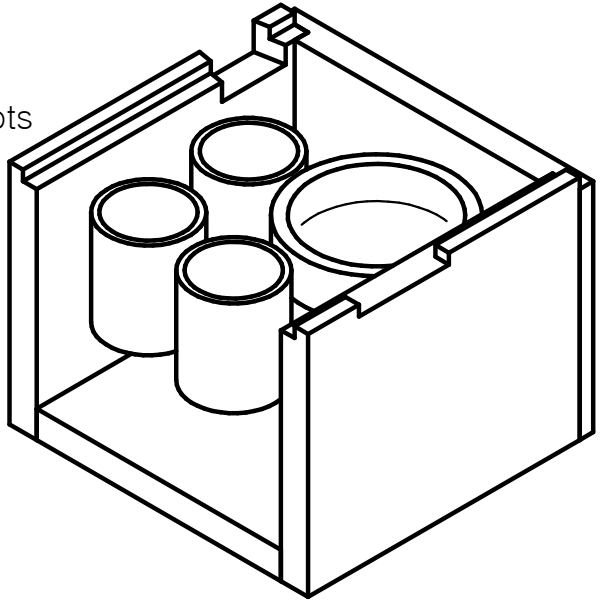
30 Pound Pot



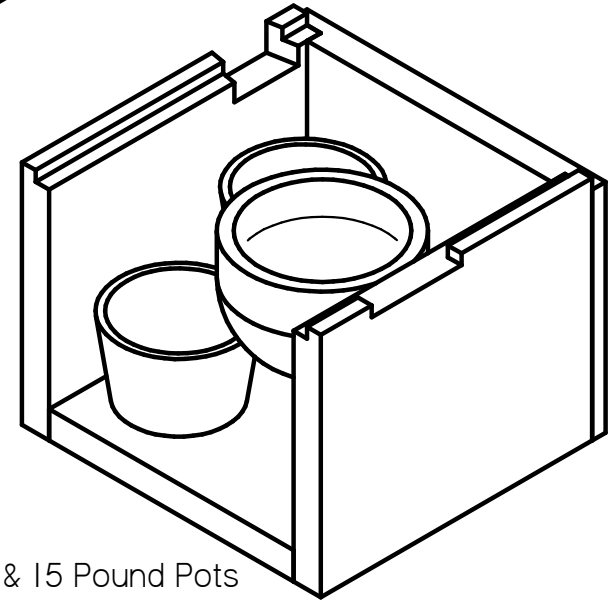
30, 15 & 10 Pound Pots



30, 10, 10, & 10 Pound Pots



30, 15, & 15 Pound Pots



Mobile Glassblowing Studios, LLC

	NAME	DATE
DRAWN	PV	10/06/20

TITLE
PX Freestanding Crucible 30 # Options

UNLESS OTHERWISE SPECIFIED
DIMENSIONS ARE IN INCHES
ANGLES ±0.25°
2 PL ±0.03 3 PL ±0.033

SIZE	DWG NO	REV
A		

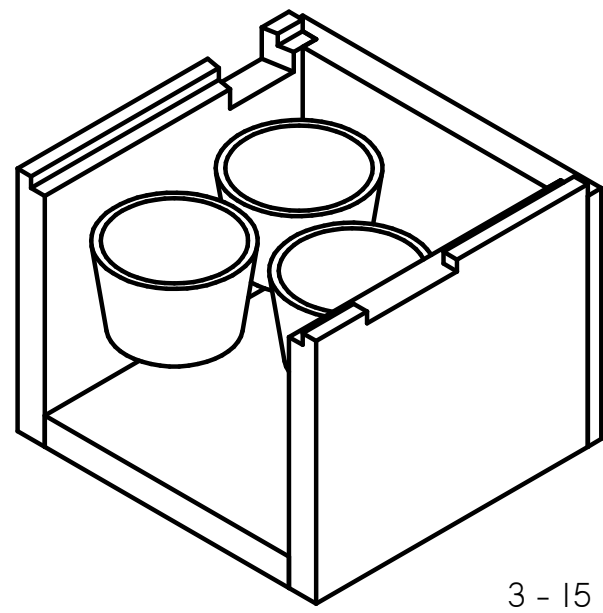
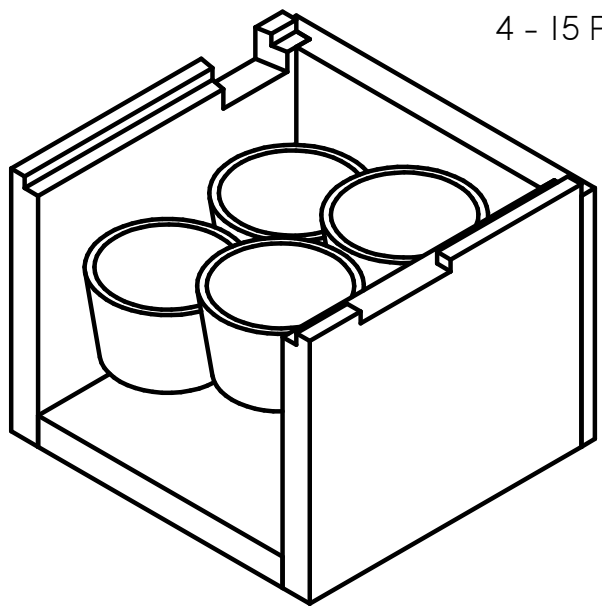
FILE NAME: Crucible options.dft

SCALE:		SHEET 4 OF 10

REVISION HISTORY

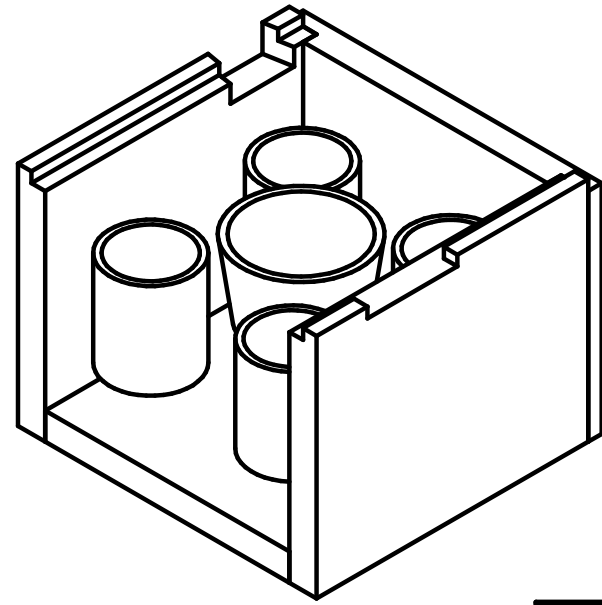
REV	DESCRIPTION	DATE	APPROVED

4 - 15 Pound Pots



3 - 15 Pound Pots

15 & 4- 10 Pound Pots



Mobile Glassblowing Studios, LLC

	NAME	DATE
DRAWN	PV	10/06/20

TITLE
PX Freestanding Crucible 15 # Options

UNLESS OTHERWISE SPECIFIED
DIMENSIONS ARE IN INCHES
ANGLES ±0.25°
2 PL ±0.03 3 PL ±0.033

SIZE	DWG NO	REV
A		

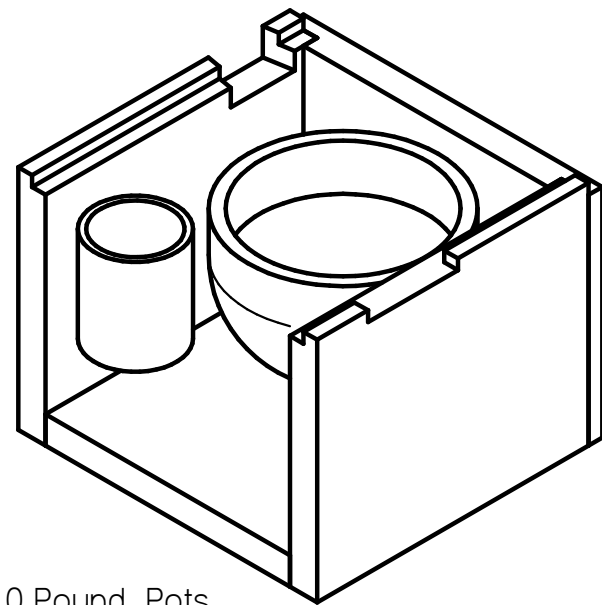
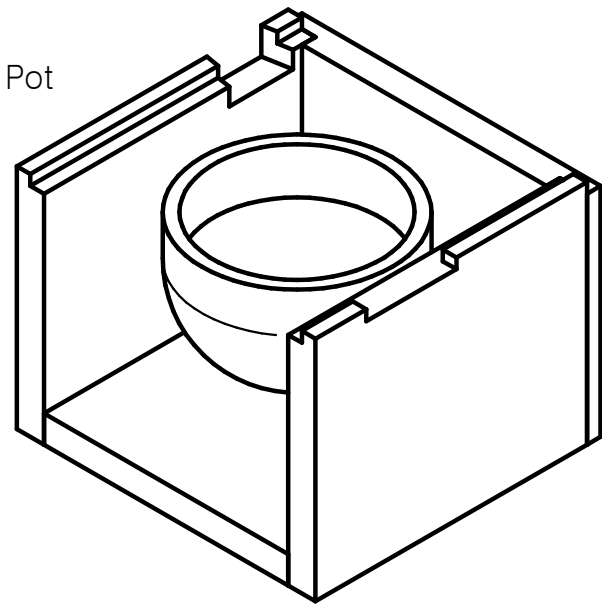
FILE NAME: Crucible options.dft

SCALE: SHEET 5 OF 10

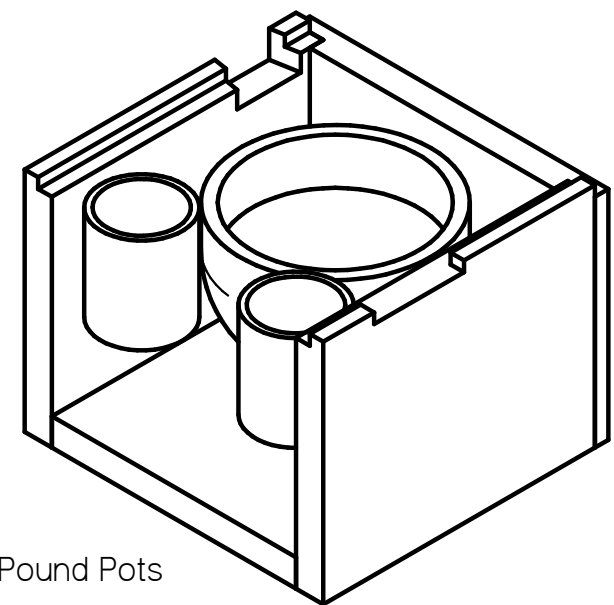
REVISION HISTORY

REV	DESCRIPTION	DATE	APPROVED

60 Pound Pot



60 & 10 Pound Pots



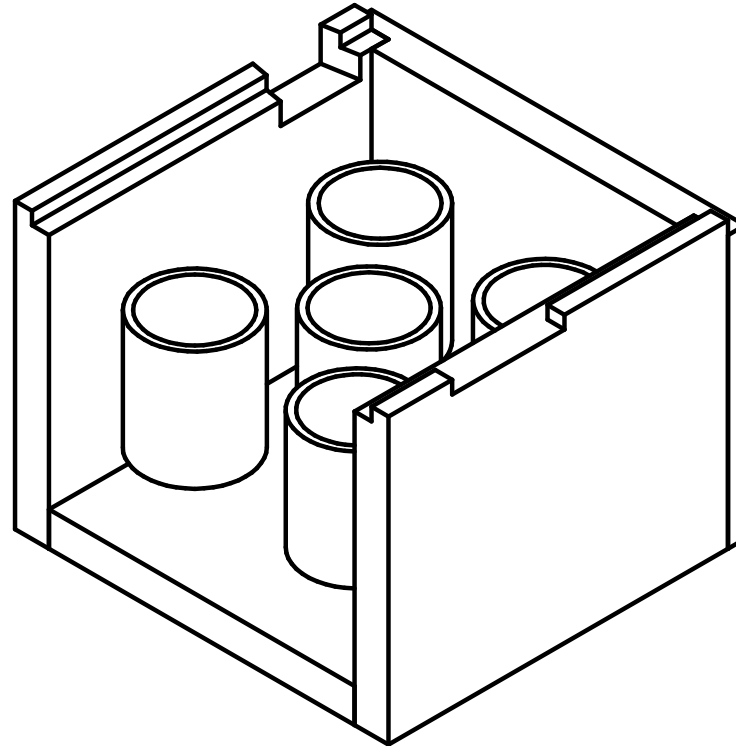
60 & 2 - 10 Pound Pots

Mobile Glassblowing Studios, LLC			
TITLE			
PX Freestanding Crucible 60 # Options			
SIZE	DWG NO	REV	
A			
FILE NAME: Crucible options.dft			
SCALE:		SHEET 6 OF 10	

	NAME	DATE
DRAWN	PV	10/06/20
UNLESS OTHERWISE SPECIFIED DIMENSIONS ARE IN INCHES ANGLES ±0.25° 2 PL ±0.03 3 PL ±0.033		

REVISION HISTORY

REV	DESCRIPTION	DATE	APPROVED



5 - 10 Pound Pots

Mobile Glassblowing Studios, LLC

TITLE
PX Freestanding Crucible 10 # Options

	NAME	DATE
DRAWN	PV	10/06/20

SIZE	DWG NO	REV
A		

UNLESS OTHERWISE SPECIFIED
DIMENSIONS ARE IN INCHES
ANGLES ±0.25°
2 PL ±0.03 3 PL ±0.033

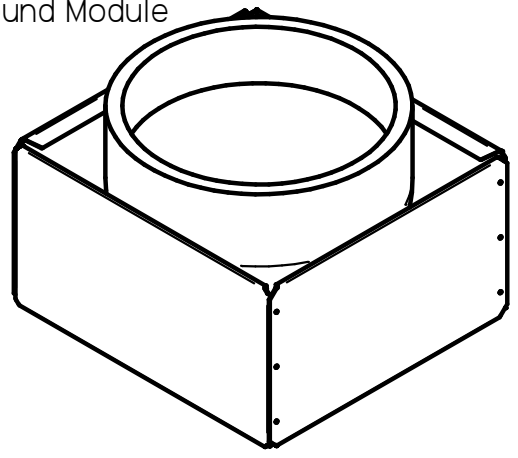
FILE NAME: Crucible options.dft

SCALE:		SHEET 7 OF 10

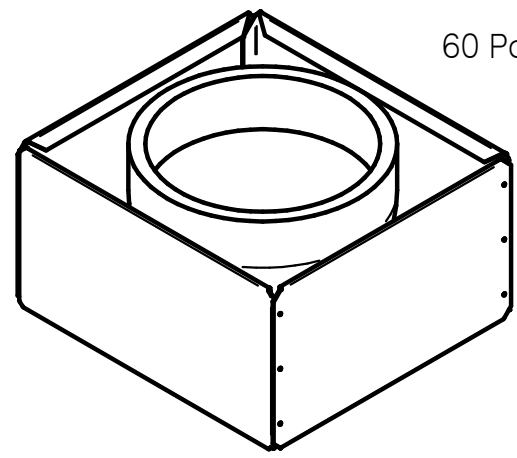
REVISION HISTORY

REV	DESCRIPTION	DATE	APPROVED

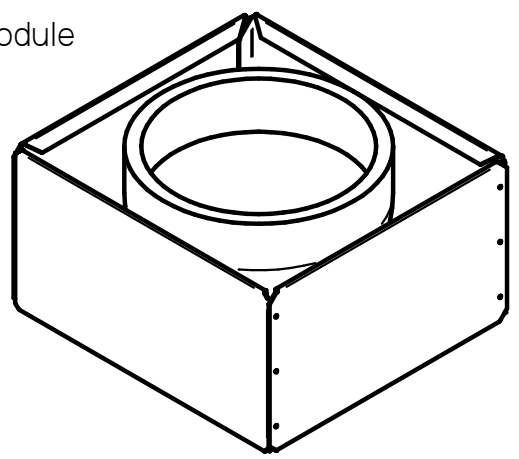
95 Pound Module



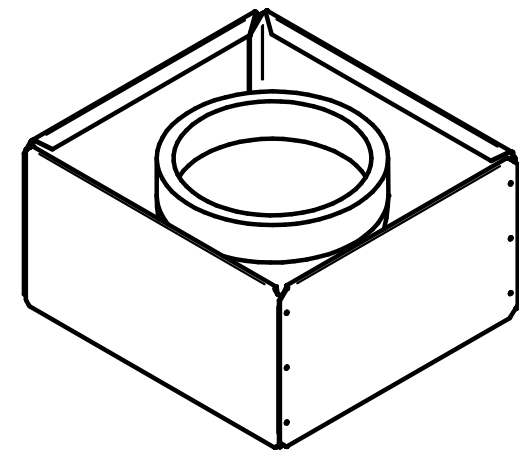
60 Pound Module



40 Pound Module



30 Pound Module



Mobile Glassblowing Studios, LLC

TITLE
Single Crucible Modules

	NAME	DATE
DRAWN	PV	10/06/20

SIZE	DWG NO	REV
A		

UNLESS OTHERWISE SPECIFIED
DIMENSIONS ARE IN INCHES
ANGLES ±0.25°
2 PL ±0.03 3 PL ±0.033

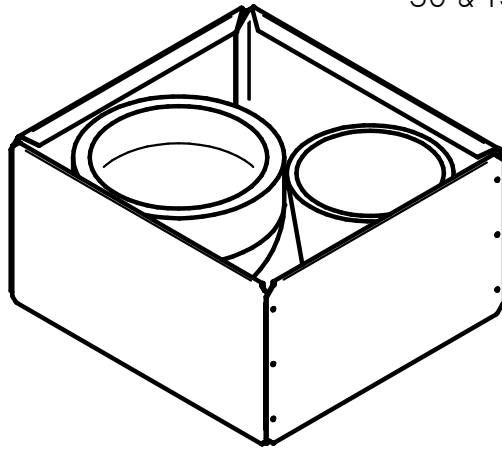
FILE NAME: Crucible options.dft

SCALE: SHEET 8 OF 10

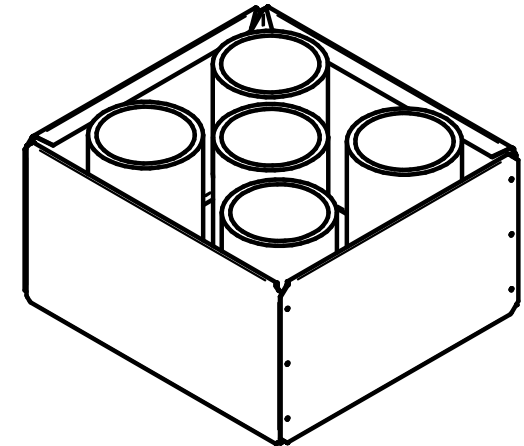
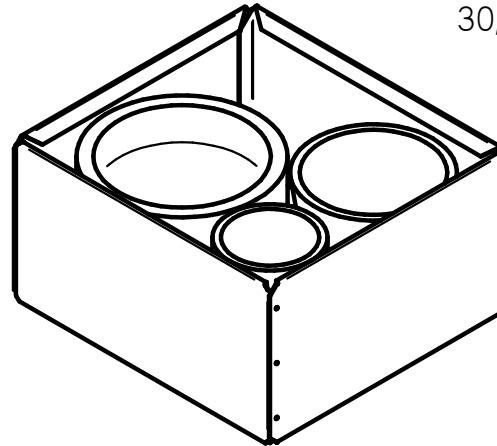
REVISION HISTORY

REV	DESCRIPTION	DATE	APPROVED

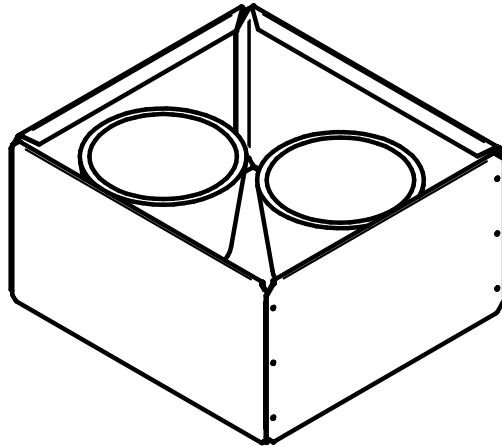
30 & 15 Pound Module



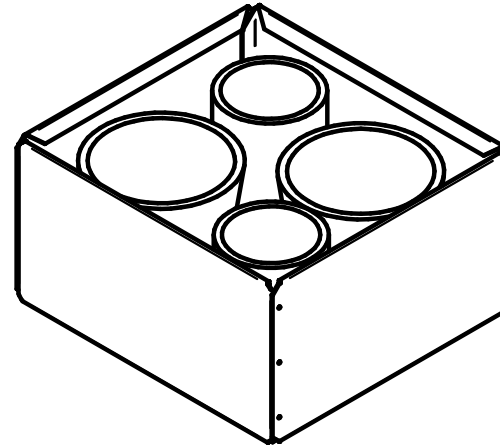
30, 15, & 10 Pound Module



5 - 10 Pound Module



2-15 Pound Module



2-15 & 2-10 Pound Module

Mobile Glassblowing Studios, LLC

TITLE
Multi Crucible Modules

DRAWN	NAME	DATE
PV		10/06/20

SIZE	DWG NO	REV
A		

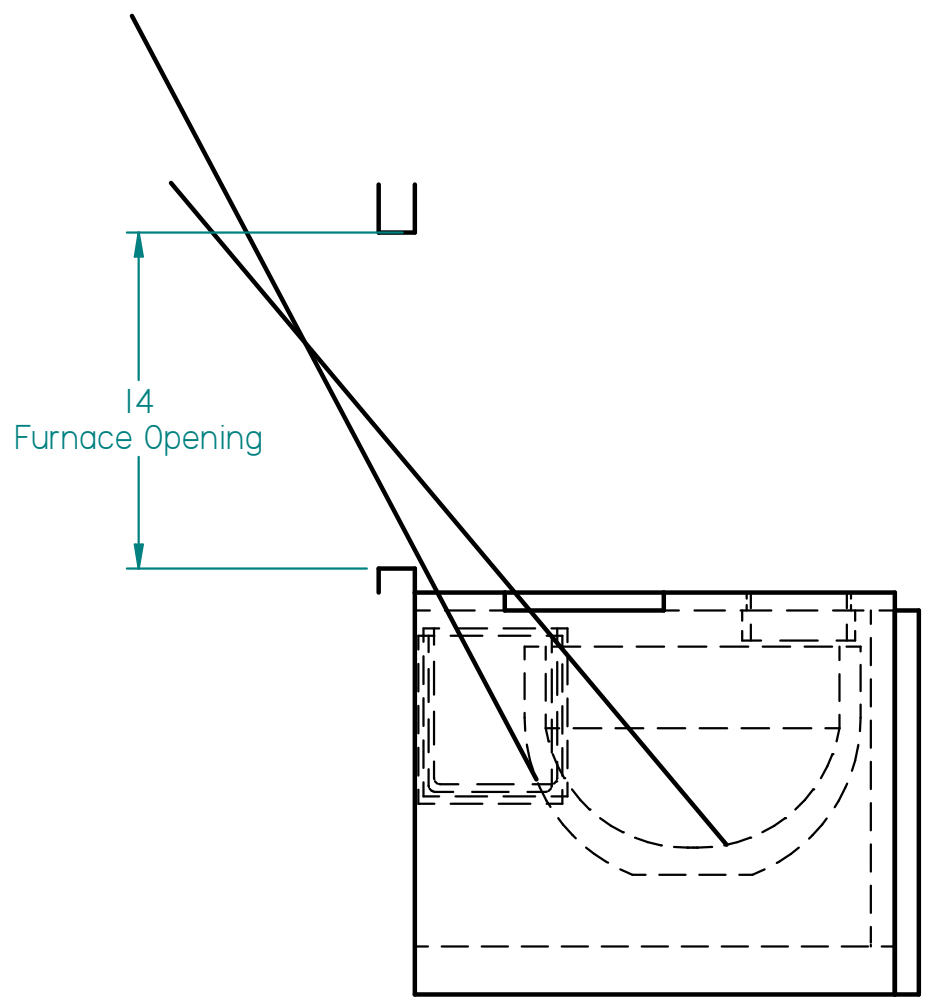
UNLESS OTHERWISE SPECIFIED
DIMENSIONS ARE IN INCHES
ANGLES ±0.25°
2 PL ±0.03 3 PL ±0.033

FILE NAME: [Crucible options.dft](#)

SCALE: SHEET 9 OF 10

REVISION HISTORY

REV	DESCRIPTION	DATE	APPROVED



Gathering Angle Sketch
60 & 2-10

Mobile Glassblowing Studios, LLC

TITLE
Gathering Angle 60 & 2-10

DRAWN	NAME	DATE
PV		10/06/20

UNLESS OTHERWISE SPECIFIED
DIMENSIONS ARE IN INCHES
ANGLES $\pm 0.25^\circ$
2 PL ± 0.03 3 PL ± 0.033

SIZE	DWG NO	REV
A		

FILE NAME: [Crucible options.dft](#)

SCALE: SHEET 10 OF 10